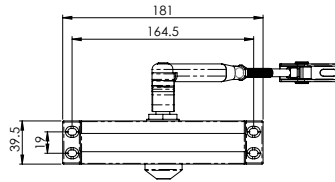
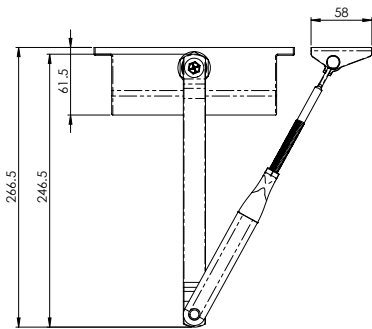


Fixed Size 3 Overhead Door Closer

ESDC003



Product Features

- Power size: Fixed Power size 3
- Maximum door width: 950mm wide
- Angle Opening: 180 degrees (Fig. 1)
- Fire Testing: FD30, 60 & 120 (Timber)
- Performance Testing: CE Marked to BS EN 1154
- Certifire approved: CF6178
- Fig. 6 Bracket included



	Carlisle Brass Ltd Parkhouse Road, Carlisle, Cumbria, CA3 0JU						
2812-CPR-AD8121	23						
BS EN 1154 : 1996	Fig 1	4	8	3	1	1	3
BS EN 1154 : 1996	Fig 6	3	8	3	1	1	3



For more information about this product & fitting instructions, scan the QR code or visit www.carlislebrass.com